

Quality Enclosures

SUPERIOR TUB ENCLOSURES
CUSTOM SHOWER DOORS

101-H WINDSOR PL, CENTRAL ISLIP, NY 11722
2025-E PORTER LAKE DR, SARASOTA, FL 34240
3348-B103 TRICKUM RD, WOODSTOCK, GA 30188

SEMI-FRAMELESS DOOR & PANEL WITH RETURN PANEL

INSTALLATION INSTRUCTIONS

Tools Needed: Tape measure, hacksaw, level, power drill, $\frac{3}{16}$ carbide masonry drill bit, $\frac{7}{64}$ drill bit, phillips screw tip, rubber mallet, and silicone caulk.

Step 1: Mark center lines on base. Measure front center line and cut front bottom track $\frac{5}{8}$ " more than this dimension. Measure return center line and cut return bottom track $\frac{5}{8}$ " more than this dimension. Assemble bottom tracks together using supplied corner bracket and screws.

Step 2: Place bottom track assembly on base and set wall jambs inside bottom track along walls at center lines. Plumb wall jambs with level and mark installation holes with pencil. Drill holes using $\frac{3}{16}$ bit and insert screw anchors. Secure with #8 x 1" installation screws.

Step 3: Place 2 setting blocks inside return bottom track and set return panel on top.

Step 4 (Glass-to-Glass Corner): Slide return panel into wall jamb. Place 2 setting blocks inside front bottom track and set inline panel on top. Slide inline panel towards return panel until edge of inline panel is flush with face of return panel. Butt return panel against inline panel and secure panels together using painter's tape. Secure return panel to wall jamb with thin push-in vinyl on both sides.

Step 4 (Corner Post): Slide return panel into wall jamb and secure with thin push-in vinyl on both sides. Slide corner post over return panel and set inside bottom track assembly at corner. Adjust return panel if necessary and secure with thin push-in vinyl on both sides. Place 2 setting blocks inside front bottom track and set inline panel on top. Slide inline panel into corner post and secure with thin push-in vinyl on both sides.

Step 5: Set inline post inside front bottom track and slide over inline panel. Secure with thin push-in vinyl on both sides.

Step 6: Center handle along edge of door, with rubber strip in between, and knock onto glass using rubber mallet.

Step 7: Center one-piece magnet along strike jamb and cut striker seals at both ends.

Step 8: Slide hinge jamb of door (or strike jamb) over wall jamb and strike jamb (or hinge jamb) over inline post. Adjust hinge jamb and strike jamb to desired positions. It may be necessary to adjust the inline panel as well. Drill holes along hinge jamb (or strike jamb) through wall jamb using $\frac{7}{64}$ bit and secure with #6 x $\frac{3}{8}$ " screws. Drill holes along strike jamb (or hinge jamb) through inline post and secure with screws.

Step 9 (Glass-to-Glass Corner): Measure distance across top from edge of inline panel to wall of front opening and cut front header $\frac{1}{2}$ " more than this dimension. Measure distance from face of inline panel to back wall and cut return header $\frac{1}{2}$ " more than this dimension.

Step 9 (Corner Post): Measure distance across top from outside corner of corner post to wall of front opening and cut front header $\frac{1}{4}$ " more than this dimension. Measure distance from outside corner of corner post to back wall and cut return header $\frac{1}{4}$ " more than this dimension.

Step 10: Assemble headers together using supplied corner bracket and screws. Slide header assembly over wall jambs and inline post (and corner post, if applicable). Drill holes at header assembly through wall jambs and inline post. Secure with #6 x $\frac{5}{8}$ " screws.

Step 11: Secure panels to header and bottom track with thick push-in vinyl on both sides.

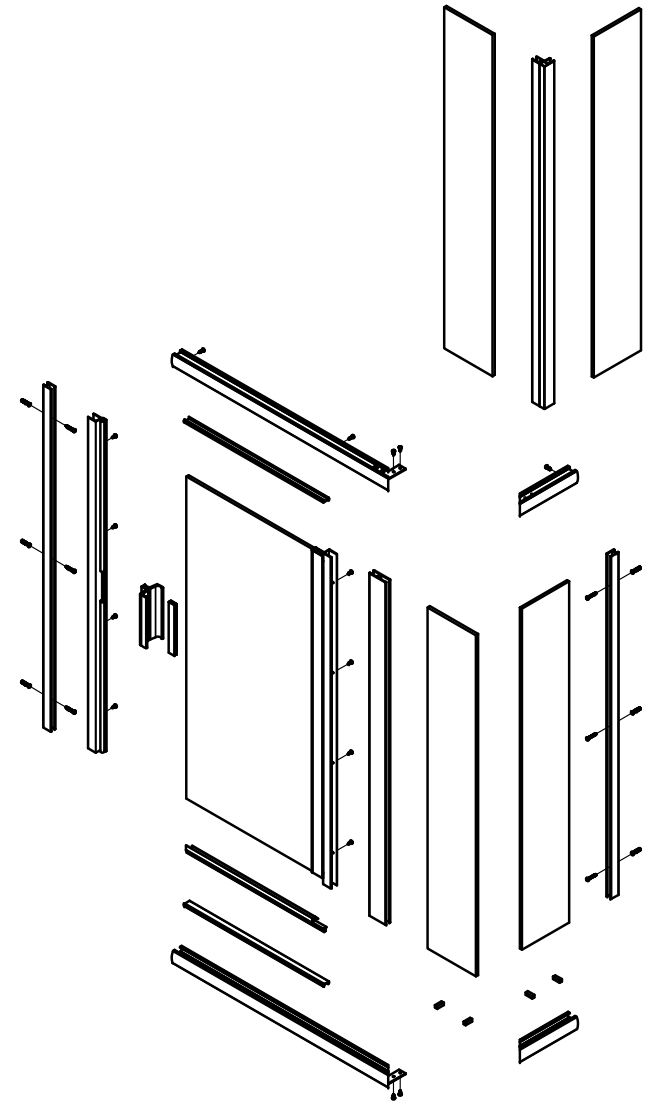
Step 12: Measure opening between hinge jamb and strike jamb. Cut threshold inserts to this dimension. Snap into bottom track and header.

Step 13: Measure from edge of door to hinge jamb and cut drip cap at $\frac{1}{8}$ " less than this dimension. Trim $\frac{1}{4}$ " off top portion (flap and legs) of drip cap on hinge side. Trim $\frac{3}{8}$ " off flap and inside leg of drip cap on strike side to ensure door will close properly against strike jamb. Slide drip cap onto bottom of door.

Step 14: Caulk along inside of unit where metal contacts walls and base. Outside caulking is optional.

Step 15 (Glass-to-Glass Corner Only): Caulk along inside of glass-to-glass corner where return panel butts against inline panel.

Note: When the inline panel is against the wall, the installation will follow the instructions utilizing the corner post system, and either the hinge jamb or the strike jamb can be mounted onto the corner post.



Quality
Enclosures

SEMI-FRAMELESS DOOR & PANEL WITH RETURN PANEL

SUPERIOR TUB ENCLOSURES
CUSTOM SHOWER DOORS

101-H WINDSOR PL., CENTRAL ISLIP, NY 11722
2025-E PORTER LAKE DR., SARASOTA, FL 34240
3348-B103 TRICKUM RD., WOODSTOCK, GA 30188

INSTALLATION SUPPLEMENT

