



GLASS PANEL SYSTEMS



2025-E PORTER LAKE DRIVE, SARASOTA, FLORIDA 34240
120 CUMBERLAND PARK DRIVE, ST. AUGUSTINE, FLORIDA 32095
3348 TRICKUM RD. 103-B, WOODSTOCK, GEORGIA 30188
101-H WINDSOR PLACE, CENTRAL ISLIP, NEW YORK 11722

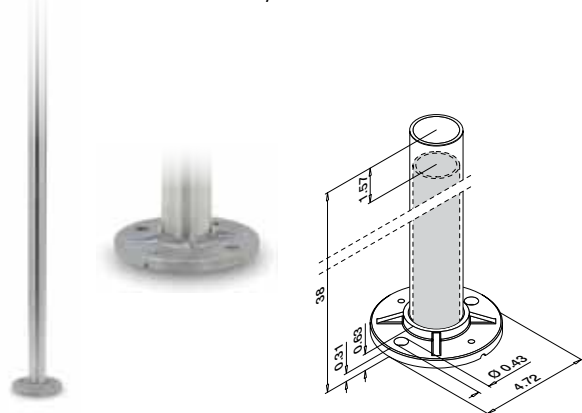
PHONE: 1-800-881-0051
FAX: 1-866-946-0199
WWW.QUALITYENCLOSURES.COM

ROUND GLASS PANEL SYSTEM

Our new Glass Panel Railing Systems allow you to install high quality, sleek panel railing in a fraction of the time traditional systems require. This means quicker installation, less labor and cost savings. With the use of the system's bonding agent, it's no longer necessary to weld connections resulting in a cleaner look. Round system components come in type 304 and 316 stainless steel (Spiders are type 304 only).

BALUSTER POSTS

Part #	Description	Post OD	Type
R13.0915.438.12	.15625 Wall Thickness, 38" Tall	1.5"	304
R14.0915.438.12	.15625 Wall Thickness, 38" Tall	1.5"	316
R13.0915.450.12	.15625 Wall Thickness, 38" Tall	2.0"	304
R14.0915.450.12	.15625 Wall Thickness, 38" Tall	2.0"	316



FLANGE COVERS

Part #	Description	Post OD	Type
R13.0513.038.12	5" Diameter	1.5"	304
R14.0513.038.12	5" Diameter	1.5"	316
R13.0513.050.12	5" Diameter	2.0"	304
R14.0513.050.12	5" Diameter	2.0"	316



ROUND HANDRAIL TUBING

Part #	Description	Type
R13.0900.038.12	1.5" X .078" SS Tube, 16.7 ft	304
R14.0900.038.12	1.5" X .078" SS Tube, 16.7 ft	316
R13.8925.038.12	1.5" X .078" SS Tube, 8.3 ft	304
R14.8925.038.12	1.5" X .078" SS Tube, 8.3 ft	316
R13.0900.050.12	2" X .078" SS Tube, 16.7 ft	304
R14.0900.050.12	2" X .078" SS Tube, 16.7 ft	316
R13.8925.050.12	2" X .078" SS Tube, 8.3 ft	304
R14.8925.050.12	2" X .078" SS Tube, 8.3 ft	316



HARDWARE & GLUE

Part #	Description
R94.0680.620.13	Hexagon Socket Head Cap Screws, 50 pcs.



Part #	Description
R19.4108.010.15	Anchorbolt – Indoor Applications (304), 10 pcs.
R19.4108.010.14	Anchorbolt – Indoor or Outdoor Applications (316), 10 pcs.



FLAT END CAP

Part #	Description	Type
R13.0732.038.12	1.5" Tubing	304
R14.0732.038.12	1.5" Tubing	316
R13.0732.050.12	2" Tubing	304
R14.0732.050.12	2" Tubing	316



ARCHED END CAP

Part #	Description	Type
R13.0729.038.12	1.5" Tubing	304
R14.0729.038.12	1.5" Tubing	316
R13.0729.050.12	2" Tubing	304
R14.0729.050.12	2" Tubing	316



WALL FLANGE

Part #	Description	Type
R13.0505.038.12	1.5" Tubing	304
R14.0505.038.12	1.5" Tubing	316
R13.0505.050.12	2" Tubing	304
R14.0505.050.12	2" Tubing	316



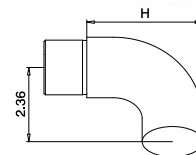
ROUND CONNECTOR

Part #	Description	Type
R13.0790.038.12	1.5" Tubing	304
R14.0790.038.12	1.5" Tubing	316
R13.0790.050.12	2" Tubing	304
R14.0790.050.12	2" Tubing	316



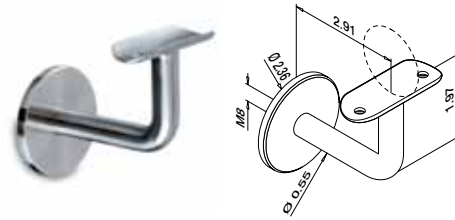
WALL RETURN

Part #	Description	H	Type
R13.0739.038.12	1.5" Tubing	3 1/4"	304
R14.0739.038.12	1.5" Tubing	3 1/4"	316
R13.0739.050.12	2" Tubing	3 5/16"	304
R14.0739.050.12	2" Tubing	3 5/16"	316



WALL MOUNT HANDRAIL BRACKET

Part #	Description	Type
R13.0111.038.12	1.5" Tubing	304
R14.0111.038.12	1.5" Tubing	316
R13.0111.050.12	2" Tubing	304
R14.0111.050.12	2" Tubing	316



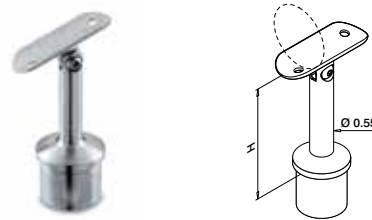
TOP OF POST - FIXED HANDRAIL BRACKET

Part #	Description	Post OD	H	Type
R13.0702.038.12	1.5" Tubing	1.5"	3 1/8"	304
R14.0702.038.12	1.5" Tubing	1.5"	3 1/8"	316
R13.0702.050.12	2" Tubing	1.5"	3 1/8"	304
R14.0702.050.12	2" Tubing	1.5"	3 1/8"	316
R13.0703.050.12	2" Tubing	2.0"	3 1/8"	304
R14.0703.050.12	2" Tubing	2.0"	3 1/8"	316



TOP OF POST - ADJUSTABLE HANDRAIL BRACKET

Part #	Description	Post OD	H	Type
R13.0705.038.12	1.5" Tubing	1.5"	3 1/8"	304
R14.0705.038.12	1.5" Tubing	1.5"	3 1/8"	316
R13.0705.050.12	2" Tubing	1.5"	3 1/8"	304
R14.0705.050.12	2" Tubing	1.5"	3 1/8"	316
R13.0706.050.12	2" Tubing	2.0"	3 1/8"	304
R14.0706.050.12	2" Tubing	2.0"	3 1/8"	316

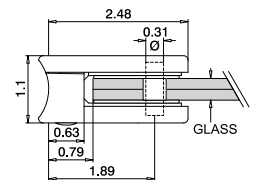
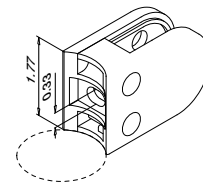
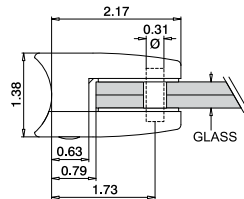
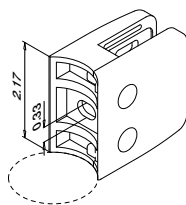


SQUARE GLASS CLAMPS

Part #	Description	Post OD	Type
R13.2608.038.12	5/16" Glass	1.5"	304
R14.2608.038.12	5/16" Glass	1.5"	316
R13.2610.038.12	3/8" Glass	1.5"	304
R14.2610.038.12	3/8" Glass	1.5"	316
R13.2612.038.12	1/2" Glass	1.5"	304
R14.2612.038.12	1/2" Glass	1.5"	316
R13.2608.050.12	5/16" Glass	2.0"	304
R14.2608.050.12	5/16" Glass	2.0"	316
R13.2610.050.12	3/8" Glass	2.0"	304
R14.2610.050.12	3/8" Glass	2.0"	316
R13.2612.050.12	1/2" Glass	2.0"	304
R14.2612.050.12	1/2" Glass	2.0"	316

ROUND GLASS CLAMPS

Part #	Description	Post OD	Type
R13.2208.038.12	5/16" Glass	1.5"	304
R14.2208.038.12	5/16" Glass	1.5"	316
R13.2210.038.12	3/8" Glass	1.5"	304
R14.2210.038.12	3/8" Glass	1.5"	316
R13.2512.038.12	1/2" Glass	1.5"	304
R14.2512.038.12	1/2" Glass	1.5"	316
R13.2208.050.12	5/16" Glass	2.0"	304
R14.2208.050.12	5/16" Glass	2.0"	316
R13.2210.050.12	3/8" Glass	2.0"	304
R14.2210.050.12	3/8" Glass	2.0"	316
R13.2512.050.12	1/2" Glass	2.0"	304
R14.2512.050.12	1/2" Glass	2.0"	316



GLASS SPIDERS

Part #	Description	Type
R13.0750.000.12	Spider Connector 7.87" long	304
R13.0751.000.12	Spider Connector 3.94" long	304

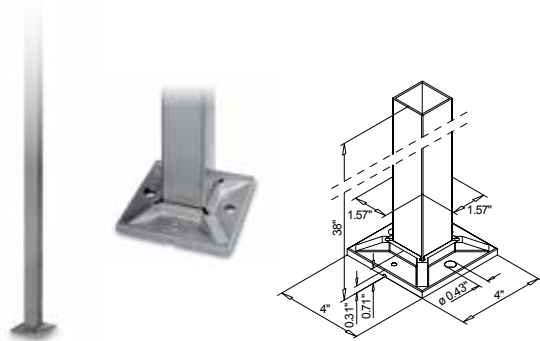


SQUARE GLASS PANEL SYSTEM

Our new Glass Panel Railing Systems allow you to install high quality, sleek panel railing in a fraction of the time traditional systems require. This means quicker installation, less labor and cost savings. With the use of the system's bonding agent, it's no longer necessary to weld connections resulting in a cleaner look. Square system components come in type 304 stainless steel.

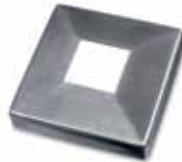
BALUSTER POSTS

Part #	Description
R13.4913.040.12	Baluster Post, .080 Wall Thickness, 38"



FLANGE COVERS

Part #	Description
R13.4511.040.12	Baluster Post Flange Cover Plate, 4.25" Diameter



SQUARE HANDRAIL TUBING

Part #	Description
R13.4900.040.12	1.57" SS Square Tube, 16.7 ft
R13.4925.040.12	1.57" SS Square Tube, 8.3 ft



HARDWARE & GLUE

Part #	Description
R94.0680.620.13	Hexagon Socket Head Cap Screws, 50 pcs.



Part #	Description
R19.4108.010.15	Anchorbolt – Indoor Applications (304), 10 pcs.
R19.4108.010.14	Anchorbolt – Indoor or Outdoor Applications (316), 10 pcs.



Part #	Description
R19.1331.000.00	SS Fixative Glue



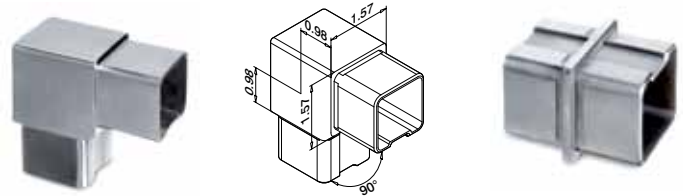
END CAP & WALL FLANGE

Part #	Description
R13.4732.040.12	Flat End Cap
R13.4505.040.12	Wall Flange



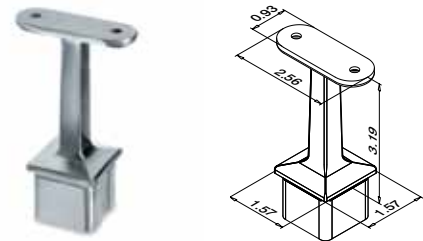
ANGLE & CONNECTOR

Part #	Description
R13.4301.040.12	90 Degree Flush Angle
R13.4790.040.12	Connector



HANDRAIL BRACKET

Part #	Description
R13.4710.000.12	Top of Post Fixed Bracket for Square Tubing



PHONE: 1-800-881-0051

FAX: 1-866-946-0199

WWW.QUALITYENCLOSURES.COM

