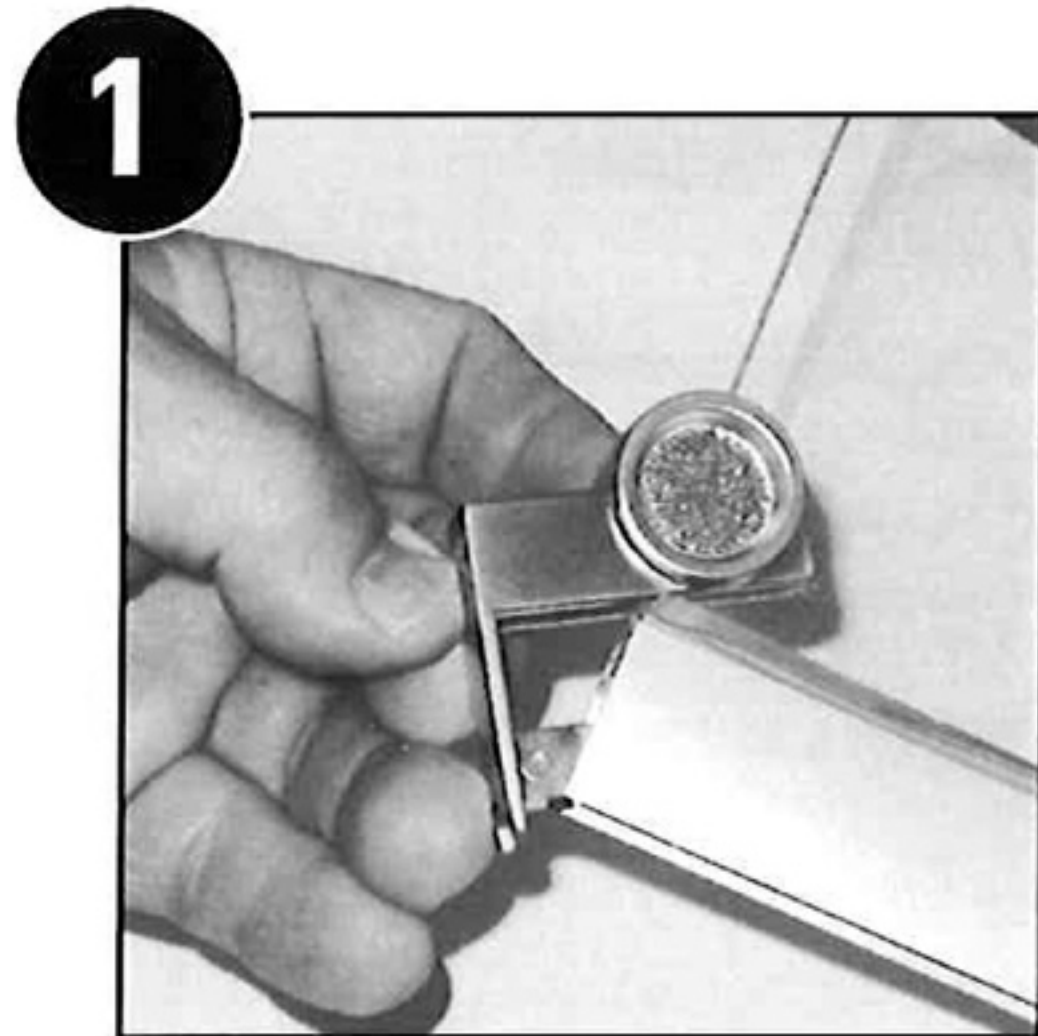
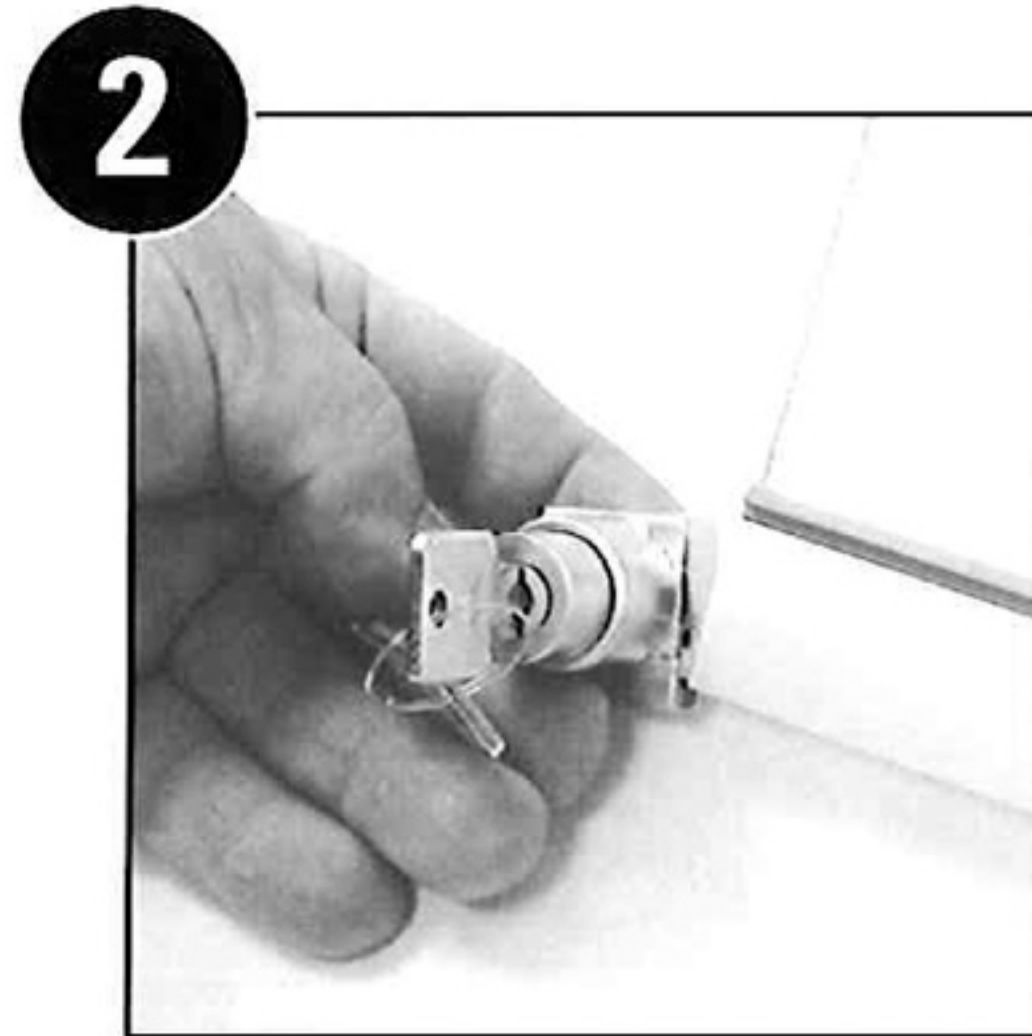


SMART LOCK™ BYPASS DOOR SYSTEM

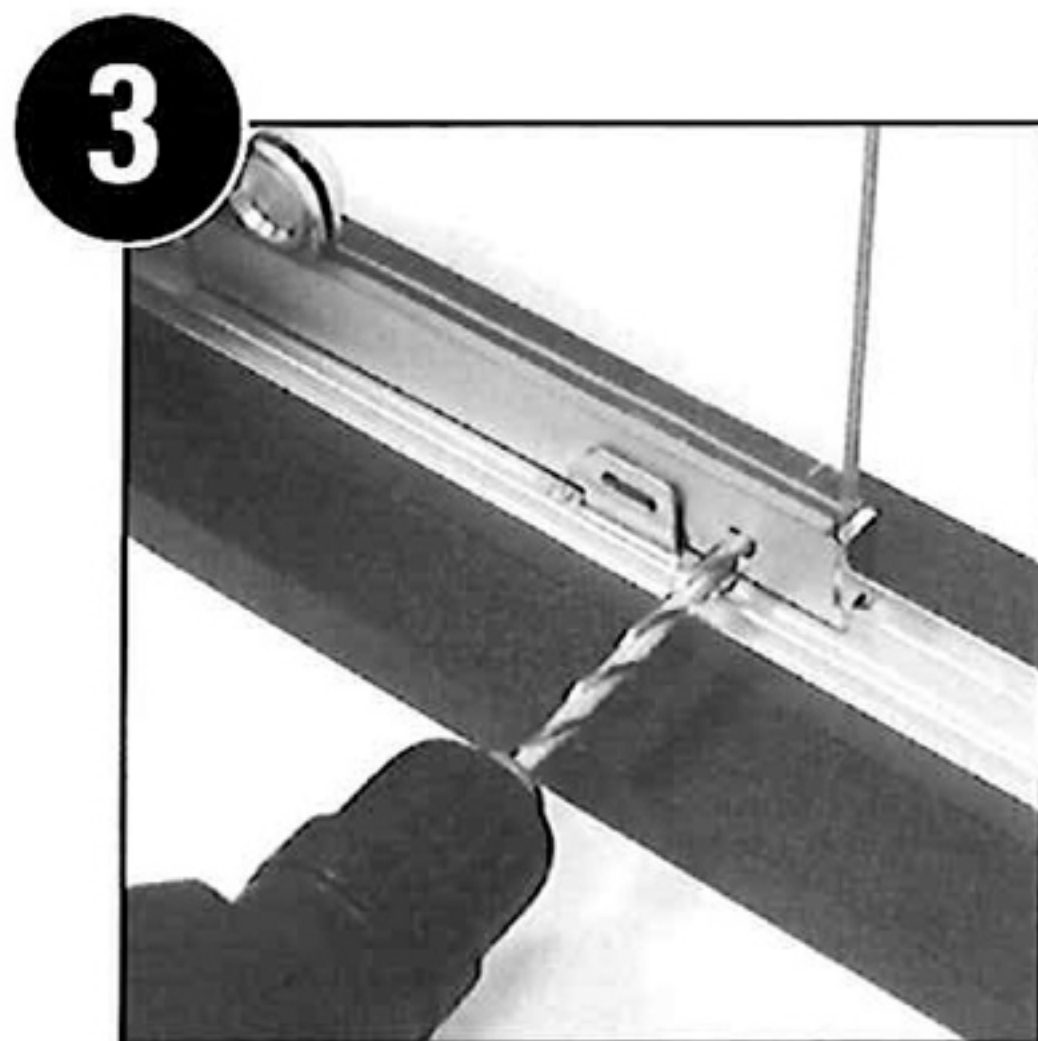
Smart Lock is a European style lock system designed for use with 1/4" glass, acrylic or wood. It features a lock and clip that secures both doors to a slide track. The result is a safe, stable system with no rattling. Lock assembly can be installed for either right or left hand use and can be ordered in sets; keyed alike or mixed key. Installation can be completed in five easy steps...clean and quick.



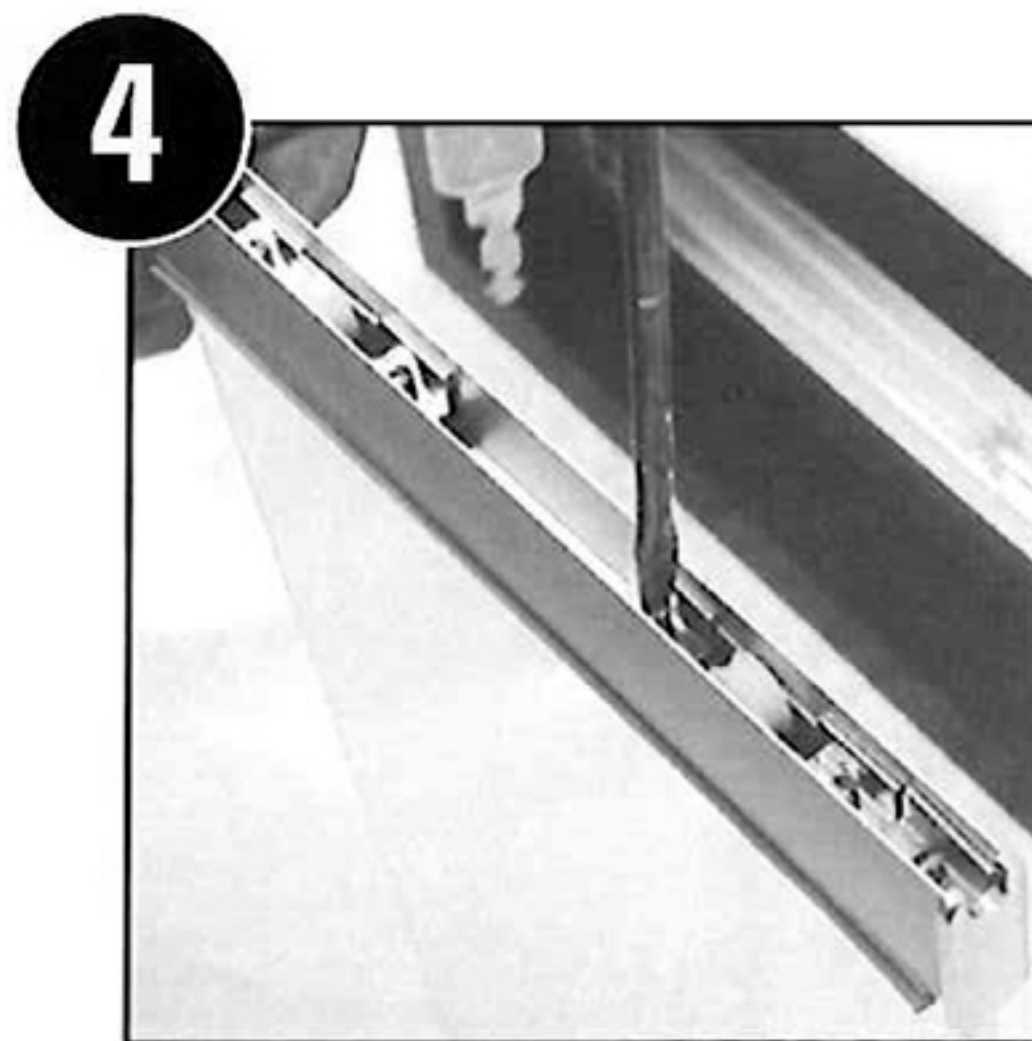
1 Place glass in shoe and fit finger pull on end.



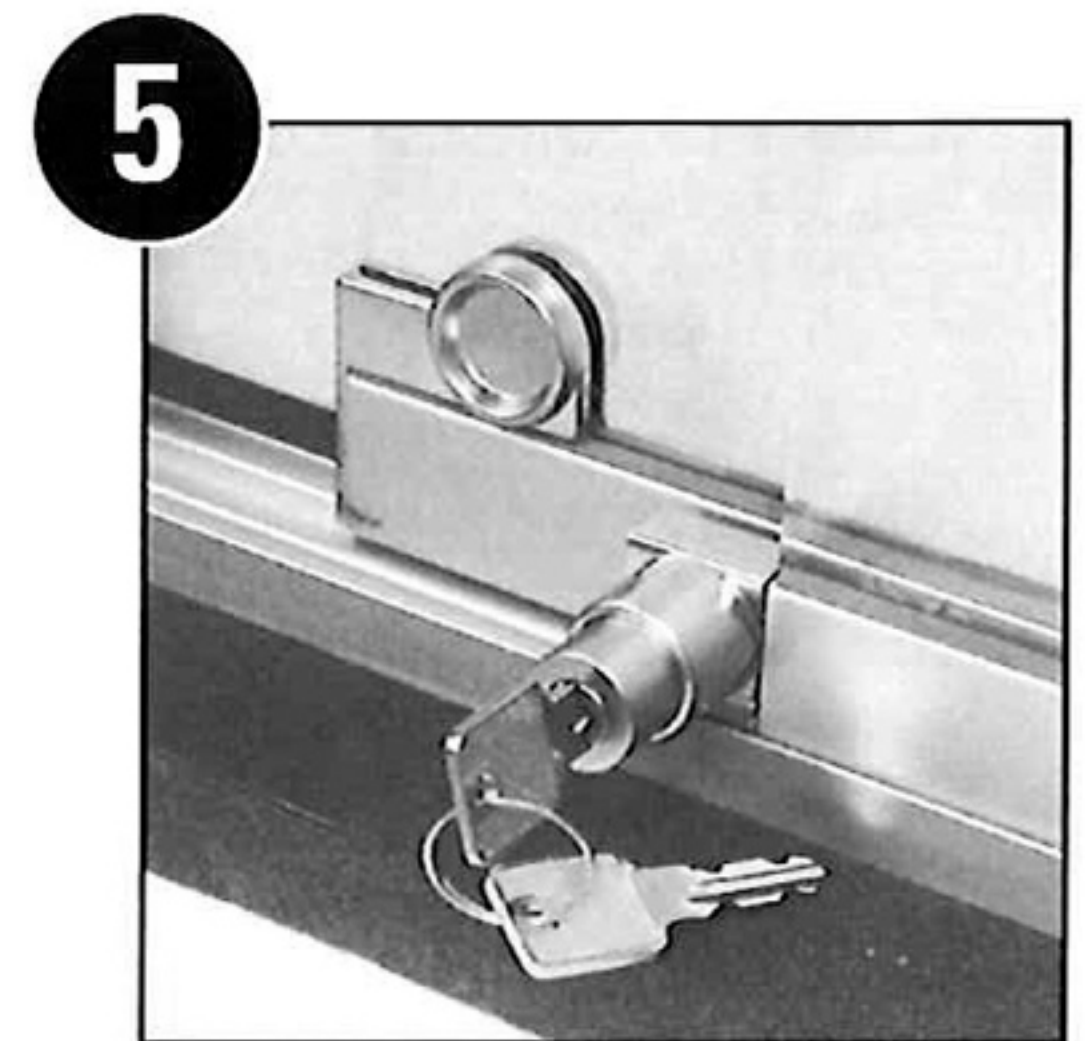
2 Fit plunger lock on end of second shoe section and secure with set screws.



3 Drill a 1/4" hole in the back shoe for the plunger lock. Screw secure clip onto bottom track between back shoe and front shoe.



4 Slide rollers into shoe, secure with set screws and install end cap.

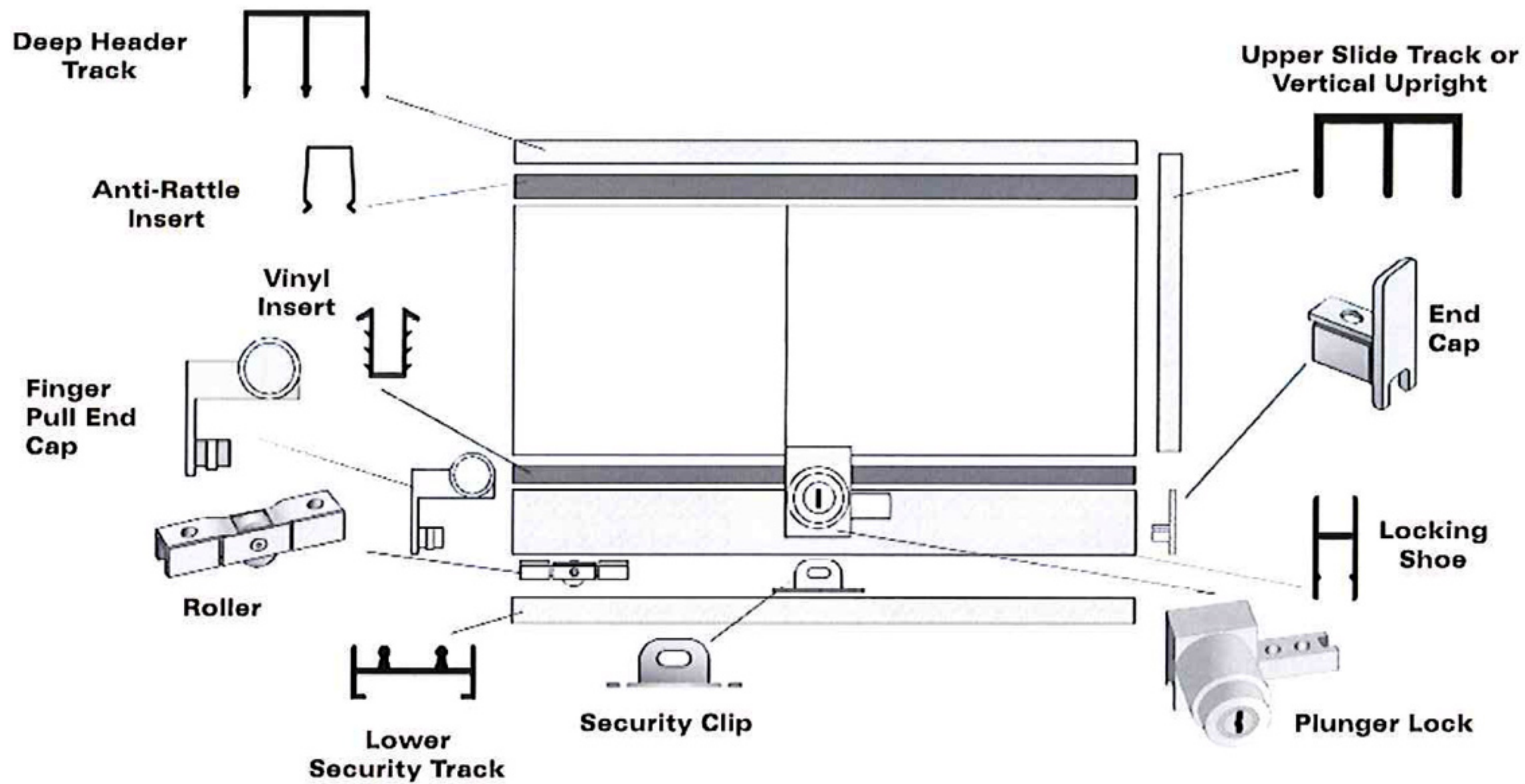


5 Attractive, simple and secure.

You can rely on us to provide the products you need, on-time and as promised. Our employees consult with you one-on-one to make sure you get what you need. If there ever is a problem, our team members are empowered to work with you on a quick and satisfactory solution. Let us help make your next project a success.

SMART LOCK™ COMPONENTS & EXTRUSIONS

Components are available in clear satin, bright gold, bright chrome and dark bronze finishes in 12' lengths. Each part is sold separately and most are individually sleeved. Extrusions are available in clear satin, bright gold, bright chrome and dark bronze finishes in 12' lengths.



Security Clip
F93-6306

For use with A54-0371 only



End Cap
F93-2060

For use with A52-6303 only



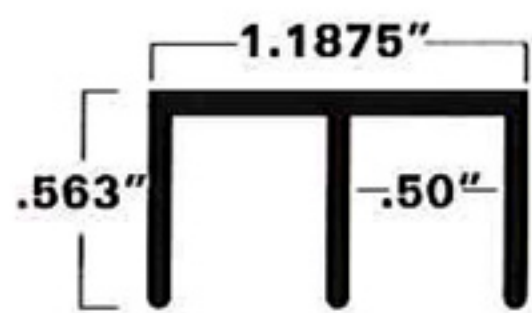
Finger Pull End Cap
F93-8575

For use with A52-6303 only

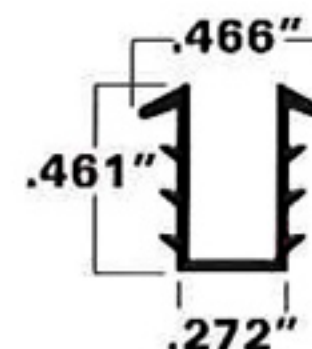


Roller With Nylon Wheel
F93-2050

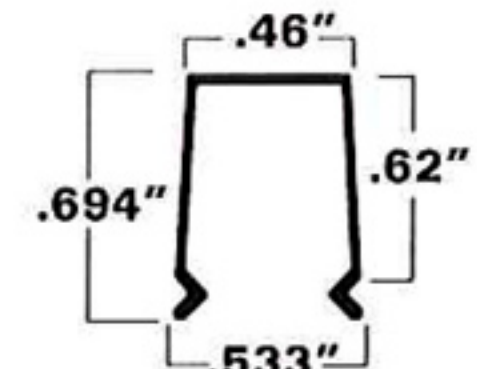
Roller With Steel Ball Bearing Wheel
F93-2055



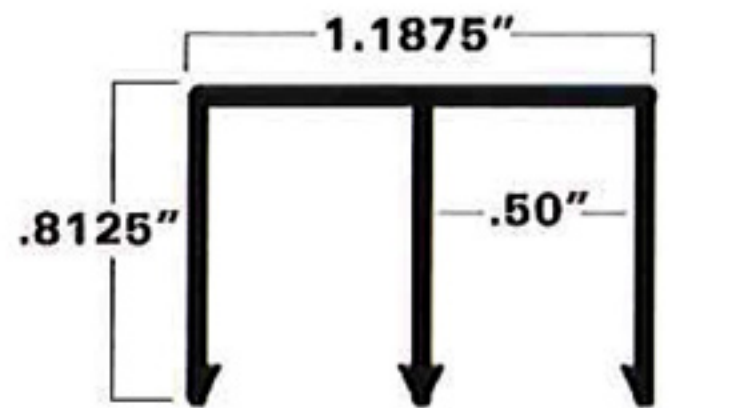
Upper Slide Track or Vertical Upright
A54-0154



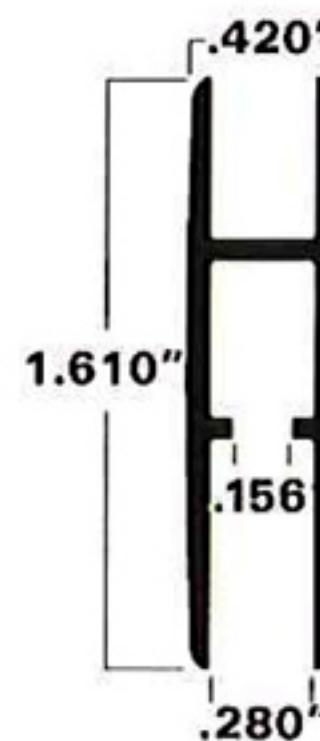
Vinyl Insert for Shoe
V25-2500
1/4" glass only



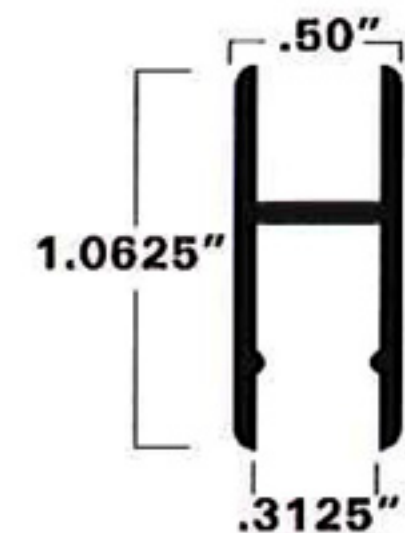
Anti-Rattle Insert
V25-7471
For use with A54-0372 only



Deep Header Slide Track
A54-0372



Large Locking Shoe
A52-6668



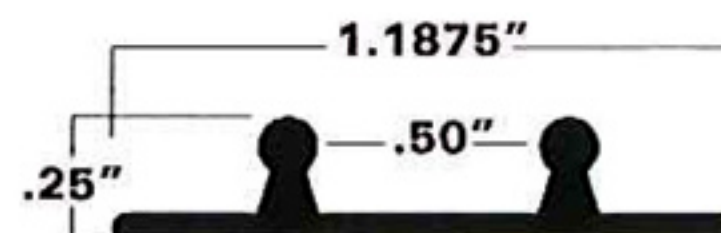
Locking Shoe
A52-6303



Plunger Lock
F93-2000

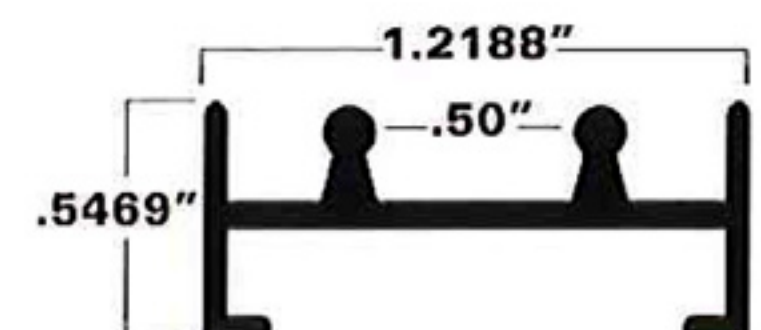
For use with A52-6303 only

Two keys included. Lock is interchangeable, left or right hand and can be ordered in groups, "keyed the same" or "mixed key."



Lower Slide Track
A54-0063

Glass Deduction = 1.25"



Lower Security Track
A54-0371

Glass Deduction = 1.4375"