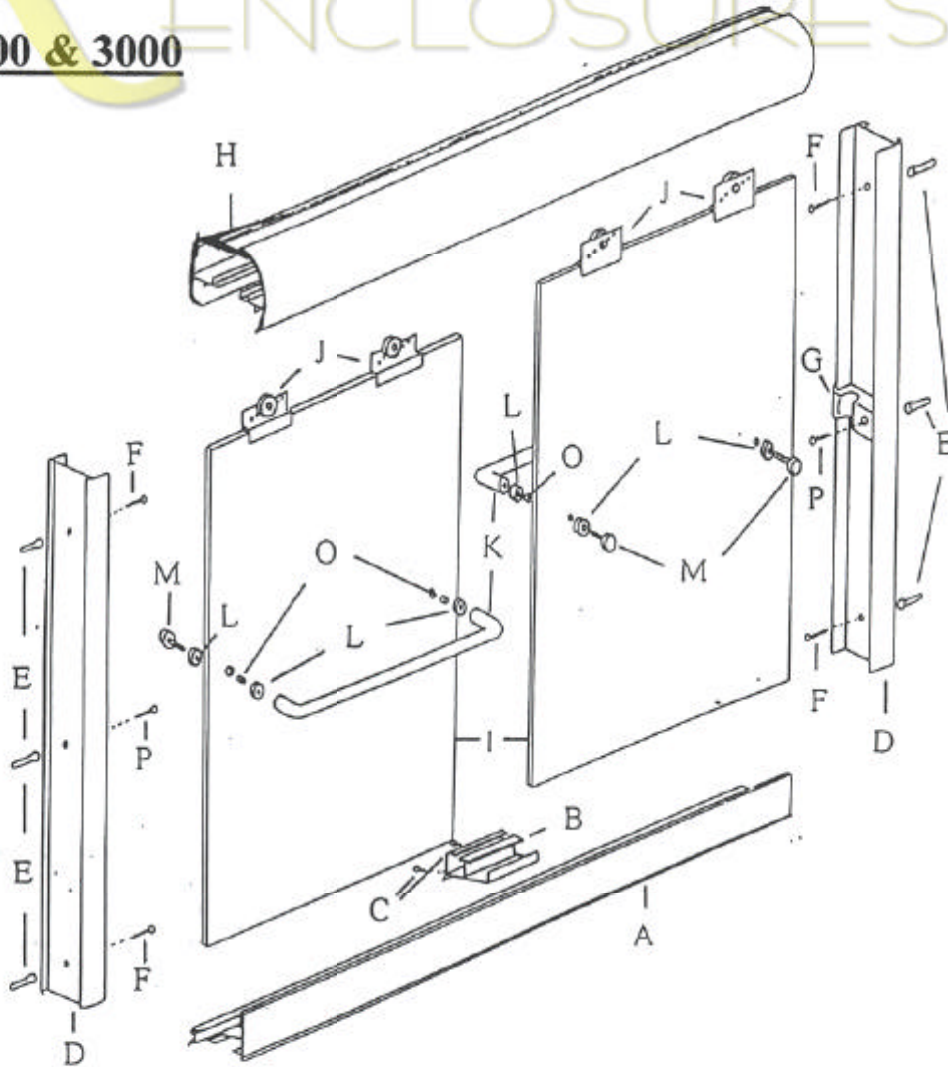


# Architect's Specifications:

We at Quality Enclosures have an endless source of drawings of aluminum extrusions, hardware, and full enclosures. The following are just a sample of what we are capable of providing. Please feel free to call with any specific requests. Our qualified personnel can provide you all the information you will need either via fax, mail or email.

## Models 1000 & 3000



### SPECIFICATIONS

#### **GLASS**

All glazing materials shall meet or exceed Ansi 297.1-1984 and CPSC standard 16 CFR 1201 Category I and II.

#### **ALUMINUM**

Extruded shapes to be 6463-T6 or T5 depending on application.

#### **FINISH**

- Brite Silver- A1 Buffed and Anodized to AA-C31-A21 Specifications.
- Brite Brass- A1 Buffed and Anodized to AA-C31-A23 Specifications.

#### **POWER COAT**

Modified Polymer to be thermo set and cured at a minimum 400°F as per AAMA-603 Specifications.

#### **CLEAR POLYCARBONATE**

Extruded Clear Lexan-141 meeting or exceeding the ASTM-D790 Flexural Strength Test and ASTM-D256 Izod Impact Test.