

# Quality Enclosures

## SEMI-FRAMELESS PANEL-DOOR-PANEL

SUPERIOR TUB ENCLOSURES  
CUSTOM SHOWER DOORS

101-H WINDSOR PL, CENTRAL ISLIP, NY 11722  
2025-E PORTER LAKE DR, SARASOTA, FL 34240

## INSTALLATION INSTRUCTIONS

**Tools Needed:** Tape measure, hacksaw, level, power drill,  $\frac{3}{16}$  carbide masonry drill bit,  $\frac{7}{64}$  drill bit, phillips screw tip, rubber mallet, and silicone caulk.

**Step 1:** Measure distance between walls at base and cut bottom track at  $\frac{1}{16}$ " less than opening.

**Step 2:** Place bottom track on base and set wall jambs inside bottom track along walls at center line. Plumb wall jambs with level and mark installation holes with pencil. Drill holes using  $\frac{3}{16}$  bit and insert screw anchors. Secure with #8 x 1" installation screws.

**Step 3:** Place 2 setting blocks inside bottom track on left side and set left panel on top. Slide left panel into left wall jamb and secure with thin push-in vinyl on both sides. Set left inline post inside bottom track and slide over left panel. Secure with thin push-in vinyl on both sides. Do the same for right panel.

**Step 4:** Center handle along edge of door, with rubber strip wedged in between, and knock onto glass using rubber mallet.

**Step 5:** Center one-piece magnet along strike jamb and cut striker seals at both ends.

**Step 6:** Slide hinge jamb of door over either inline post and strike jamb over other inline post. Adjust hinge jamb and strike jamb to desired positions. It may be necessary to adjust panels as well. Drill holes along hinge jamb through 1 inline post using  $\frac{7}{64}$  bit and secure with #6 x  $\frac{3}{8}$ " screws. Drill holes along strike jamb through other inline post and secure with screws.

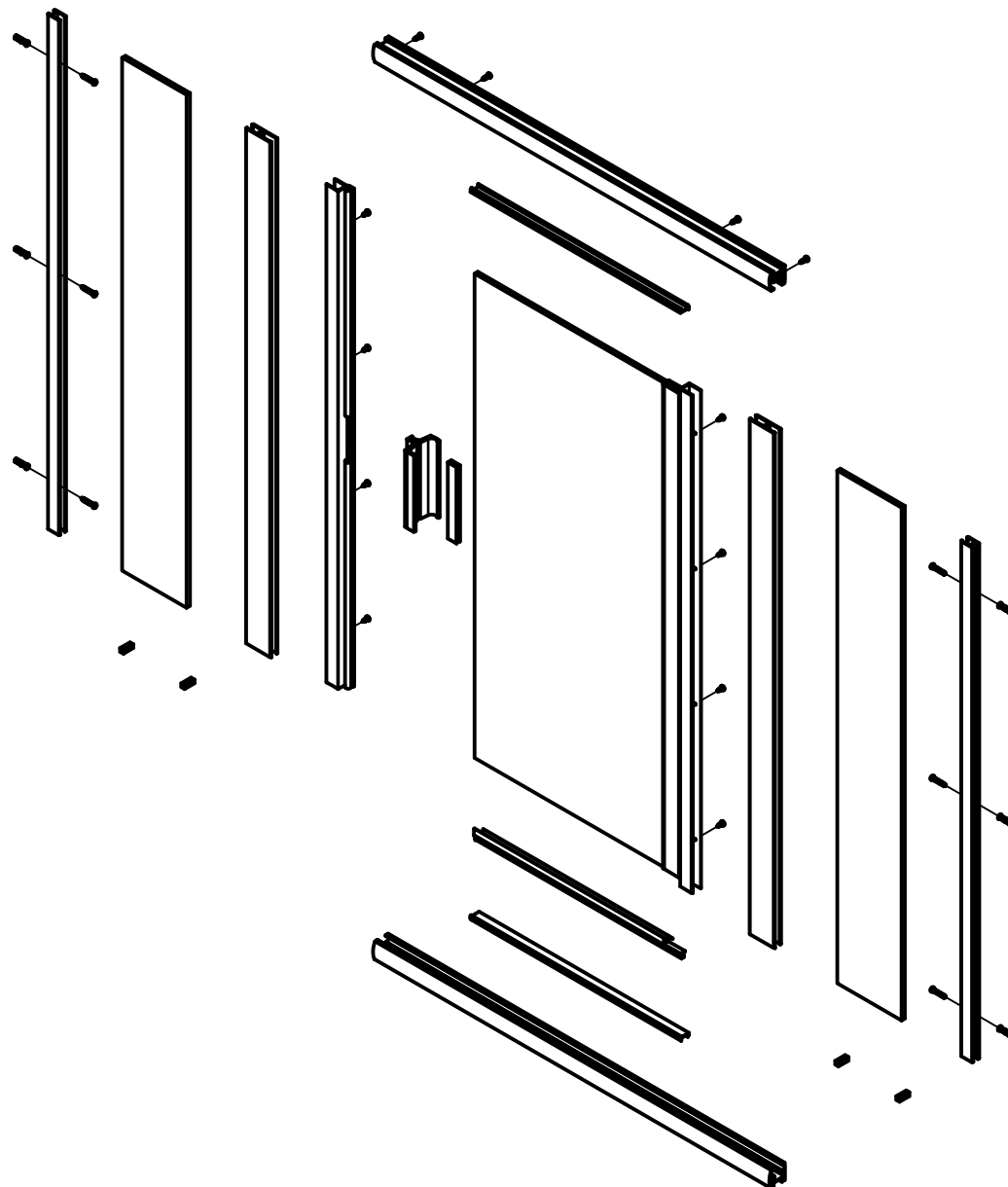
**Step 7:** Measure distance between walls across top of wall jambs and cut header at  $\frac{1}{16}$ " less than opening. Slide over wall jambs and inline posts. Drill holes at header through wall jambs and inline posts. Secure with #6 x  $\frac{5}{8}$ " screws.

**Step 8:** Secure panels to header and bottom track with thick push-in vinyl on both sides.

**Step 9:** Measure opening between hinge jamb and strike jamb. Cut threshold inserts to this dimension. Snap into bottom track and header.

**Step 10:** Measure from edge of door to hinge jamb and cut drip cap at  $\frac{1}{8}$ " less than this dimension. Trim  $\frac{1}{4}$ " off top portion (flap and legs) of drip cap on hinge side. Trim  $\frac{3}{8}$ " off flap and inside leg of drip cap on strike side to ensure door will close properly. Slide drip cap onto bottom of door.

**Step 11:** Caulk along inside of unit where metal contacts walls and base. Outside caulking is optional.



*Quality*  
Enclosures

SEMI-FRAMELESS PANEL-DOOR-PANEL

SUPERIOR TUB ENCLOSURES  
CUSTOM SHOWER DOORS

101-H WINDSOR PL, CENTRAL ISLIP, NY 11722  
2025-E PORTER LAKE DR, SARASOTA, FL 34240

INSTALLATION SUPPLEMENT

